

HIGHLY EFFICIENT HARD-MOUNT WASHER EXTRACTORS

PC
RANGE

PC60

27KG



FEATURES

- Hard-mount, medium spin, up to 200 G-factor
- Stainless steel front panel & door, skin plate side panels
- Robotically welded frame
- Stainless steel drum and tub
- Control: Xtronic OPL – easy to use microprocessor
- 4-compartment soap box
- One piece cast bearing housing: long life span
- Heavy duty variable speed motor: smooth start and stop
- Patented “Water Guardian”: detects leaking valves
- Durable door latch and lock mechanism
- Large door opening: easy loading & unloading

OPTIONS

- Xtronic VEND – 4 cycles
- Stainless steel side panels
- Liquid soap pumps

MODEL		PC60		
CONTROL OPTION		Xtronic OPL Xtronic VEND		
CAPACITY - kg		27		
OVERALL WIDTH - mm		865		
*OVERALL DEPTH - mm		1081		
OVERALL HEIGHT - mm		1267		
CYLINDER DIAMETER - mm		762		
CYLINDER DEPTH - mm		559		
CYLINDER VOLUME - liters		255		
DOOR OPENING SIZE - mm		413		
DOOR BOTTOM TO FLOOR - mm		379		
WATER INLET CONNECTION - mm		19		
DRAIN DIAMETER - mm		76		
DRAIN HEIGHT TO FLOOR - mm		119		
MOTOR POWER CONSUMPTION - hp (kw)		3 (2.2)		
TOTAL # OF SPEEDS		6, 9		
CYLINDER SPEEDS - RPM (G-FORCE)		Gentle	31 (0.4)	
		Wash	43 (.8)	
		Distribution	77 (2.5)	
		Very Low	252 (27)	
		Low	434 (80)	
		Medium	485 (100)	
		** High	542 (120)	
		**Very High	594 (150)	
*** VOLTAGE/ CIRCUIT BREAKER - FLA		X	200-208/220- 240/50/60/1/3	15-10 (1 Ph) 15-6 (3 Ph)
		Q	200-208/220-240/50/60/3	15-6
		N	440-480/50/60/3	15-4
		P	380-415/50/60/3	15-4
SHIPPING DIMENSIONS APPROX. - mm		Width	953	
		Depth	1191	
		Height	1430	
NET WEIGHT - kg		315		
SHIPPING WEIGHT - kg		338		
SLAT CRATE SHIPPING WEIGHT - kg		390		
****AGENCY APPROVALS		c_ETL _{us} CE		

*Overall depth includes vacuum breaker to door handle.

**High, Very High, and Ultra High Spin Speeds are available on the Xtronic OPL models only.

***Circuit breaker and amp draw data shown are for models without electric heat. Consult factory for other configurations. Manufacturer strongly recommends using a circuit breaker instead of fuses. Use 3-pole circuit breakers for 3-phase machines.

****Agency approvals may vary depending on configuration. Consult factory for details. Steam connection requires 1/2" N.P.T.

For the most accurate information, the installation guide should be used for all design and construction purposes. Due to continuous product improvements, design and specifications subject to change without notice. The quality management system of Alliance Laundry Systems has been registered to ISO 9001.

Xtronic OPL

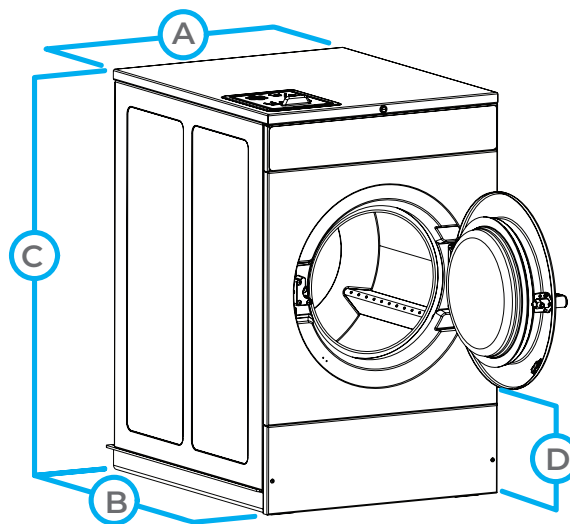


Customize your washing power with the ability to choose between three water levels while eliminating wasted water with advanced leak detection. PC programming, audit data retrieval and advanced diagnostics save time, while 200 G-Force extraction speeds reduce drying time and utility consumption.

Xtronic VEND



For laundry managers requiring basic management options, Xtronic VEND offers a 100 or 200 G-Force extraction speed, 4 cycle selections, 30 water levels, 2 cycle modifiers (Extra wash, Extra rinse) and manual programming.



MODEL	PC60
A. OVERALL WIDTH - mm	865
B. *OVERALL DEPTH - mm	1081
C. OVERALL HEIGHT - mm	1267
D. DOOR BOTTOM TO FLOOR - mm	379

The Primus preserves the right to change the machines and the specification in this leaflet at any time, without prior notice. Details and photographs are only for information and never binding.

www.primuslaundry.com

Primus by Alliance Laundry Systems

